

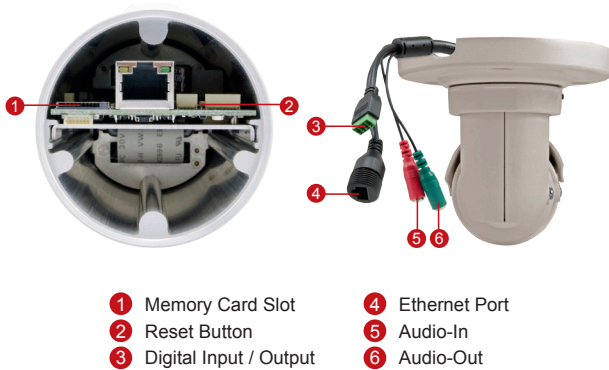
E413

5MP, Zoom Bullet with D/N, Adaptive IR, Basic WDR, 10x Zoom Lens



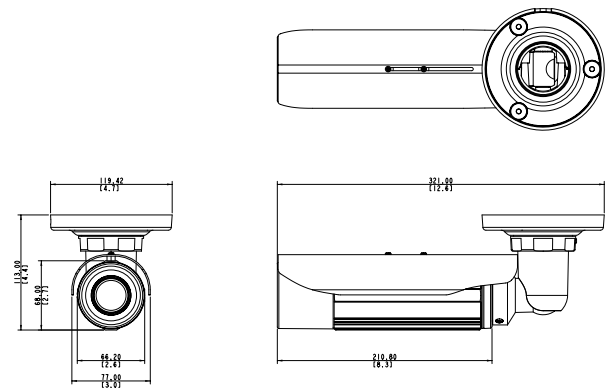
- 5 Megapixel with 1080p
- Day & Night with Adaptive IR LED
- 10x Zoom Lens with f4.9 - 49mm / F2.8 - 3.5, Adaptive Iris, Auto Focus
- Basic WDR (74 dB)
- 30 fps at 1920 x 1080
- Weatherproof (IP68) and Vandal Proof Metal Casing (IK10)

PHOTO INDICATION



- 1 Memory Card Slot
- 2 Reset Button
- 3 Digital Input / Output
- 4 Ethernet Port
- 5 Audio-In
- 6 Audio-Out

DIMENSION DIAGRAM



Unit: mm [inch]

ACCESSORY OPTIONS

Power Supply	
PPOE-0001	<p>IEEE 802.3af PoE Injector for Class 1, 2 or 3 devices, with universal adapter</p>

Popular Mounting Solutions	
Wall	Integrated bracket
Ceiling	Integrated bracket
Pole	PMAX-0504
Gang Box	PMAX-0806

* For more mounting solutions, please refer to Project Planner on www.acti.com

PRODUCT SPECIFICATION**E413****• Device**

Device Type	Zoom Bullet
Image Sensor	Progressive Scan CMOS
Sensor Size	1/3.2"
Effective Pixels	2592 (H) x 1944 (V) (5.04 MP)
Day / Night	Yes
Low Light Sensitivity	Standard
Minimum Illumination	Color: 0.1 lux at F2.8 (30 IRE, 2400°K); B/W: 0 lux (IR LED on)
Color to B/W Switch	ISP based switch, configurable
Mechanical IR Cut Filter	Yes
IR Sensitivity Range	700~1100nm
IR LED	Adaptive IR LED (Object & Zoom Adaptive IR LED) x 18 (850 nm)
IR Working Distance	30 m (0 lux, 30 IRE, Gain 255, Auto shutter mode)
Electronic Shutter	1/5 ~ 1/2,000 sec (manual mode); 1/5 ~ 1/10,000 sec (auto mode)
TV Lines	1350
S/N Ratio	52 dB

• Lens

Focal Length / Aperture	Zoom, f4.9 - 49mm / F2.8 - 3.5
Zoom Ratio / Speed	10x optical / 3.3 sec (wide to tele)
Iris	Adaptive iris
Focus	Auto focus
Mount Type	Board mount
Horizontal Viewing Angle	51.6° ~ 6°

• Video

Compression	H.264 (Baseline / Main / High profile), MJPEG
Max. Frame Rate vs. Resolution	15 fps at 2592 x 1944; 15 fps at 2048 x 1536; 30 fps at 1920 x 1080; 30 fps at 1280 x 720; 30 fps at 800 x 600; 30 fps at 640 x 480; 15 fps at 320 x 240
Multi-Streaming	Simultaneous dual streams based on two configurations
Bit Rate	28 Kbps - 6 Mbps (per stream)
Bit Rate Mode	Constant, Variable
Image Enhancement	Basic WDR (74 dB); White balance: automatic, hold, and manual; Brightness; Contrast; Sharpness (auto); Auto gain control; 2D+3D digital noise reduction; Flickerless
Text Overlay	User defined text on video
Image Orientation	Image flip and mirror

• Audio

Compression	8kHz, Mono, PCM, 16 bit encoding, G.711
Audio-In	Terminal block
Audio-Out	Terminal block

• Network

Protocol & Service	TCP, UDP, HTTP, HTTPS, DHCP, PPPoE, RTP, RTSP, IPv4, IPv6, DNS, DDNS, NTP, ICMP, ARP, IGMP, SMTP, FTP, UPnP, SNMP, Bonjour, Sony VISCA, Pelco-D, Pelco-P
Ethernet Port	1, Ethernet (10/100 Base-T), RJ-45 connector
Security	IP address filtering; HTTPS encryption; Password protected user levels; Anonymous login; IEEE802.1X network access control

• Alarm

Alarm Trigger	Video motion detection (3 regions); External device through digital input; Sound detection
Alarm Response	Notify control center; Change camera settings; Command other devices; E-mail notification with snapshots; Save video or snapshot to local storage; Upload video or snapshot to FTP server; Activate external device through digital output

• Interface

Digital Input	1, Terminal block
Digital Output	1, Terminal block
Local Storage	MicroSDHC/MicroSDXC card slot (card not included)

• General

Power Source / Consumption	PoE Class 3 (IEEE802.3af) / 5.76 W (built-in heater and IR on)
Weight	1.13 kg (2.49 lb)
Dimensions (W x H x D)	77 mm x 113 mm x 321 mm (3.0" x 4.4" x 12.6")
Bundled Accessories	Integrated bracket
Environmental Casing	Weatherproof (IP68 rated); Vandal proof metal casing (IK10)
Mount Type	Wall, Pole, Ceiling, Gang box
Starting Temperature	-20°C ~ 50°C (-4°F ~ 122°F) within 30 mins
Operating Temperature	-30°C ~ 50°C (-22°F ~ 122°F)
Operating Humidity	10% ~ 85% RH
Approvals	CE (EN 55022 Class B, EN 55024), FCC (Part15 Subpart B Class B), IP68, NEMA 4X, IK10 (metal casing), UL (for optional PoE injector and power adapter)

• Integration

Unified Solution	Fully compatible with ACTi software
ISV Integration	Software Development Kit (SDK) available; ONVIF compliant
GPS Position	Manual setting
Firmware Access Browser	Microsoft Internet Explorer 8.0 or newer (full functionality) Safari with QuickTime installed, and other browsers with VLC installed (partial functionality)

* All specifications are subject to change without notice.

* All brand names and registered trademarks are the property of their respective owners.

www.acti.com

